

advanio

G-M1A021

Gorilla Series RS-232/422/485
Converters

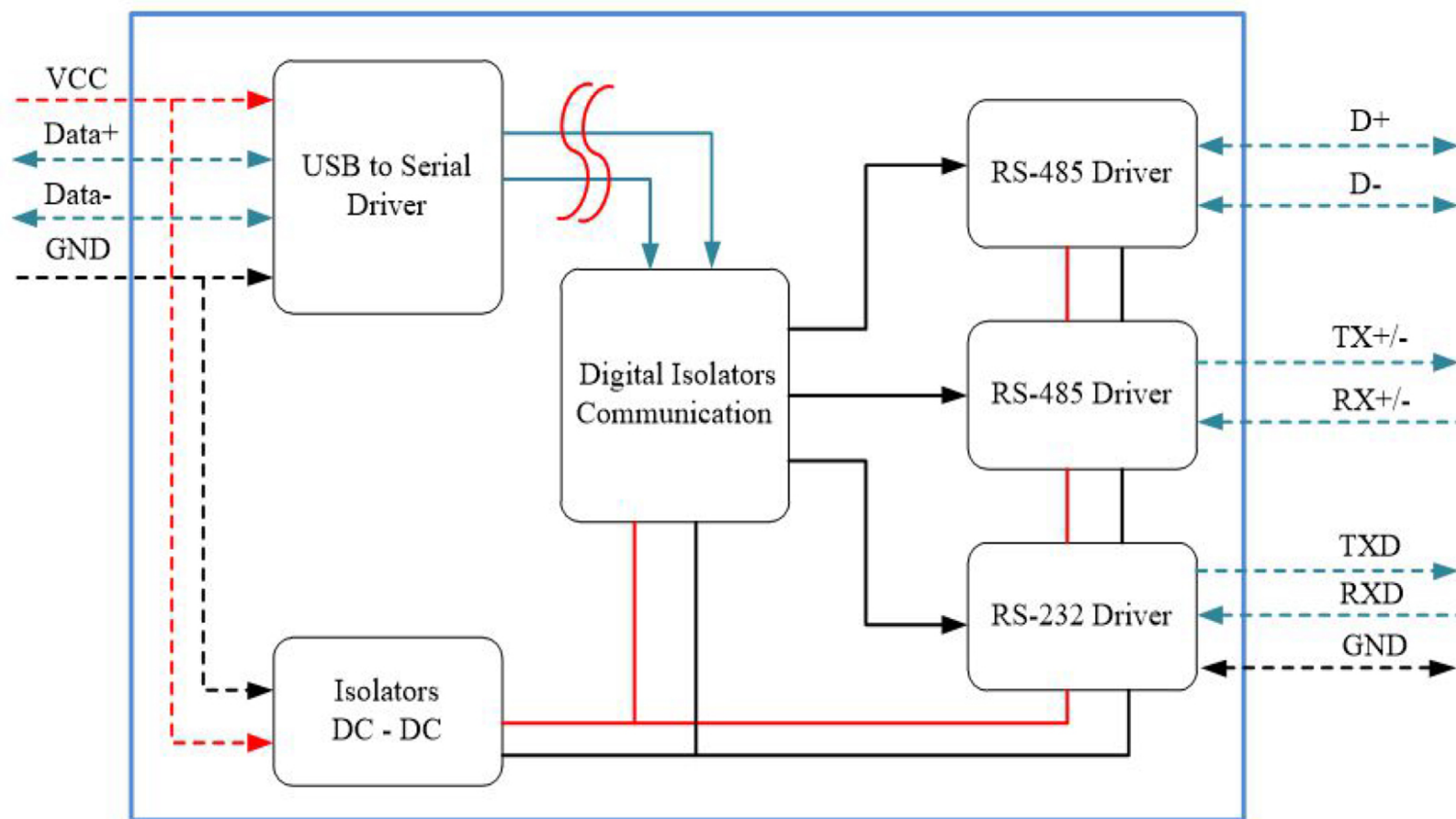


Specifications

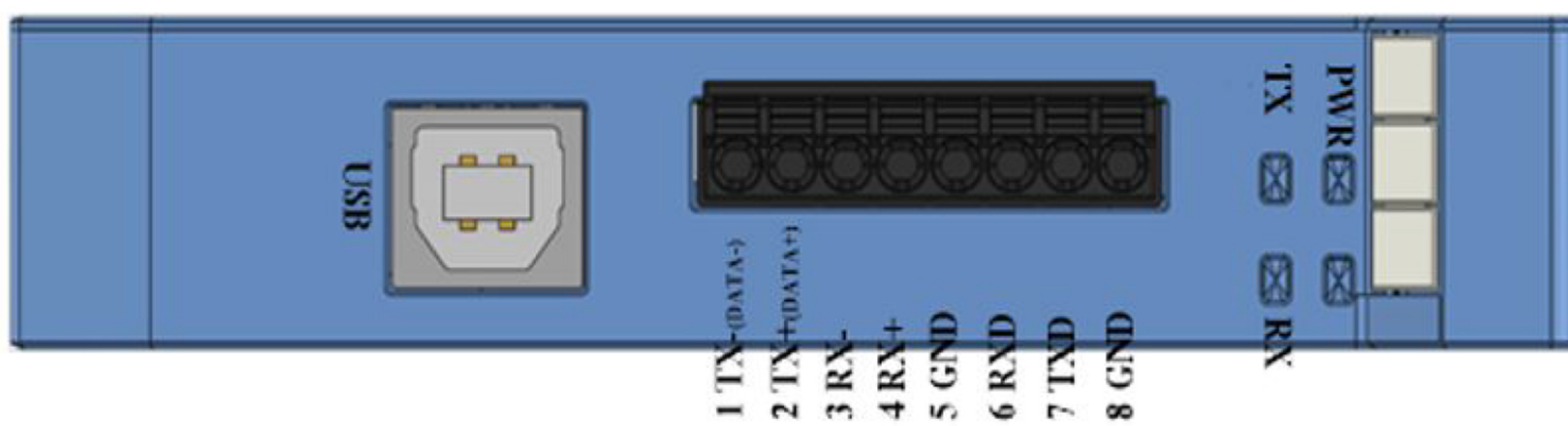
Models		G-M1A021(with plastic housing) G-M1A021_M(with aluminum housing)
Interface		
USB		USB 2.0
Serial Interface	RS-232	The RS-232, RS-422 and RS-485 cannot be used simultaneously • TXD, RXD, GND • TX+, TX-, RX+, RX- •TX+(DATA+), TX-(DATA-)
	RS-422	
	RS-485	
RS-422/485 Transmission Distance		1200 m
Speed		From 300 to 115.2 k
Connection	RS-232/422/485	Removable 8-Pin Terminal Block
	USB	Type B
Power		
Input Voltage Range		+5 VDC from USB
Mechanical		
Casing		PC
Flammability		UL-94 Fire-proof level
Dimensions (W x H x D)		100mm x 21mm x 107mm
Installation		DIN-Rail
General		
Isolation Protection		2500 VDC
Operating Temperature		-10~70 °C (14~158 °F)
Storage Temperature		-25~85 °C (-13~185 °F)
Humidity		5~95 %RH , non-condensing

<p>Driver Supported</p>	<p>Windows 98, 98SE, ME, 2000, Server 2003, XP and Server 2008, Windows 7 32,64-bit, Windows XP and XP 64-bit, Windows Vista and Vista 64-bit ,Windows XP Embedded ,Windows CE 4.2, 5.0 and 6.0 Linux 2.4 and greater</p>
--------------------------------	---

The G-M1A021 Block Diagram



Pin Assignment



RS-485 Pin define:

TX+(DATA+) and TX-(DATA-)

RS-422 Pin define:

TX+(DATA+) 、 TX-(DATA-) 、 RX+ and RX-

RS-232 Pin define:

TXD 、 RXD and GND